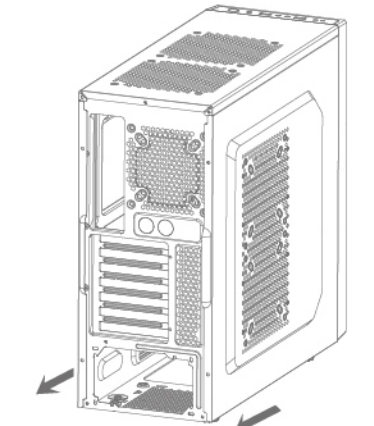




TESSERACT

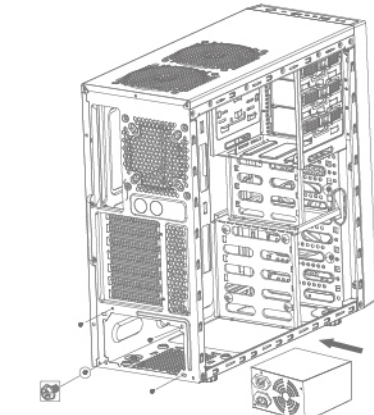
USER GUIDE

1. Open Case



Unscrew the thumb screws and pull the side panel out as illustrated.

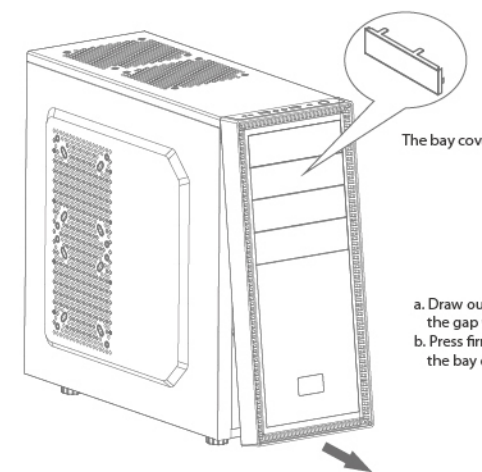
2. Power Supply Installation



Put power supply on bottom of case and close to rear panel, then lock it with four 6#-32 screws with Phillips screwdriver.

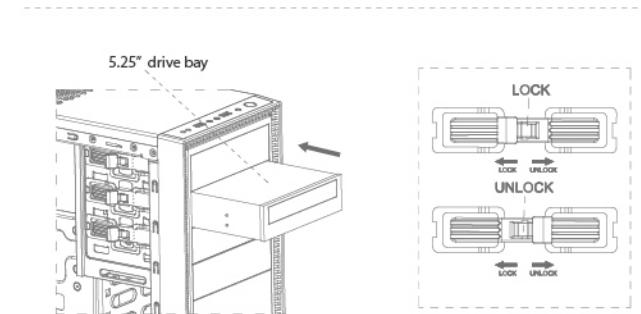
6#-32 screws

3. 5.25" Drive Bay Installation



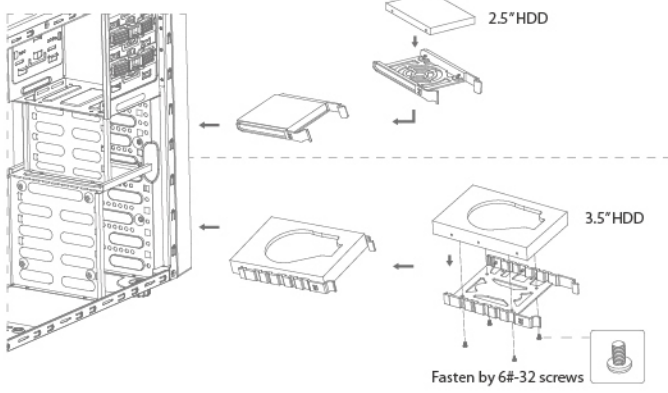
The bay cover

- a. Draw out the front panel from bottom of the gap when pressing top of the panel.
- b. Press firmly on card hook and remove the bay cover.



- c. Push the 5.25" drive into the drive bay with proper force.
- d. Put tool-free lock into place to secure the drive.

4. HDD Installation



2.5" HDD

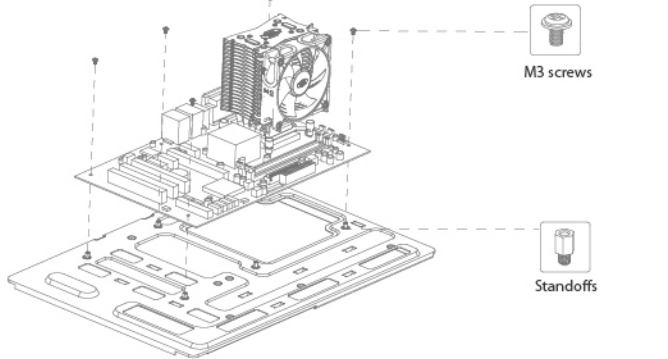
3.5" HDD

Fasten by 6#-32 screws

- a. Secure 2.5" HDD to the rack with one 6#-32 screws, and push it into place.
- b. Secure 3.5" HDD to the rack and push it into place.

5. Motherboard Installation

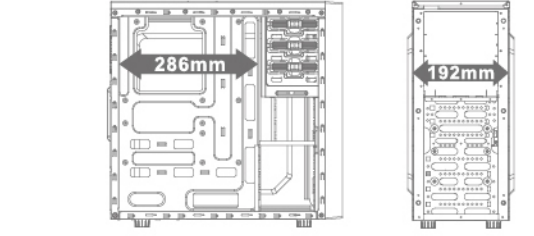
- a. Pick out the standoffs and install them on the motherboard tray.
- b. Place the motherboard onto the standoffs in accordance with the I/O.
- c. Secure the motherboard using the M3 screws.



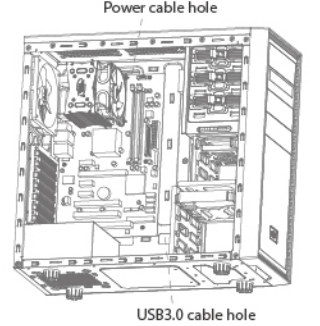
M3 screws

Standoffs

6. Compatible component size diagram

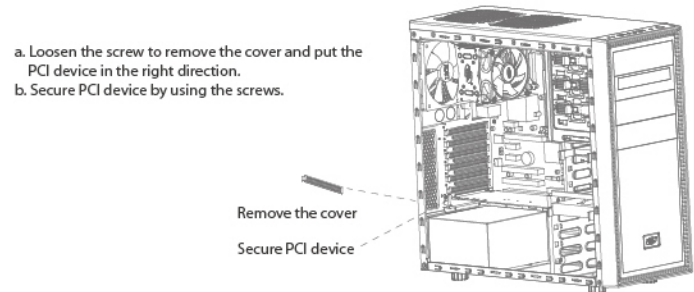


7. Cable management for a tidy case



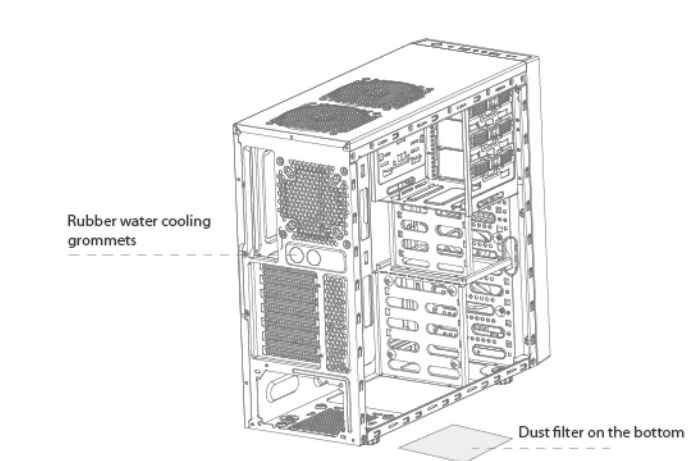
- a. Use the cable tie and hump on the tray to tidy everything up.
- b. A large hole on motherboard tray for easy installation of CPU cooler.

8. PCI card Installation



- a. Loosen the screw to remove the cover and put the PCI device in the right direction.
- b. Secure PCI device by using the screws.

9. Compatible component size diagram



Rubber water cooling grommets

Dust filter on the bottom

10. Cable Connection

	Panel Connector	High Definition Audio (Azalia)	USB 2.0 Connector	USB 3.0 Connector
Motherboard	IDELED+ <input type="checkbox"/> PLED+ IDELED- <input type="checkbox"/> PLED- Ground <input type="checkbox"/> PWR Reset <input type="checkbox"/> GND NC <input type="checkbox"/> No Pin	MIC_L <input type="checkbox"/> AGND MIC_R <input type="checkbox"/> PRESENSE# HP_R <input type="checkbox"/> MIC2_ID Jack_Sense <input type="checkbox"/> No Pin HP_L <input type="checkbox"/> HP_HD	USB+5V <input type="checkbox"/> USB+5V USB_P- <input type="checkbox"/> USB_P- USB_P+ <input type="checkbox"/> USB_P+ GND <input type="checkbox"/> GND No Pin <input type="checkbox"/> NC	IntA_P2_D+ <input type="checkbox"/> ID IntA_P2_D- <input type="checkbox"/> IntA_P1_D- GND <input type="checkbox"/> GND IntA_P2_SSTX+ <input type="checkbox"/> IntA_P1_SSTX+ IntA_P2_SSTX- <input type="checkbox"/> IntA_P1_SSTX- GND <input type="checkbox"/> GND IntA_P2_SSRX+ <input type="checkbox"/> IntA_P1_SSRX+ IntA_P2_SSRX- <input type="checkbox"/> IntA_P1_SSRX- VBUS <input type="checkbox"/> VBUS
	POWER SW <input type="checkbox"/> PWR <input type="checkbox"/> GND PESET SW <input type="checkbox"/> Ground <input type="checkbox"/> Reset	H.D.D LED <input type="checkbox"/> IDELED+ <input type="checkbox"/> IDELED- POW LED- <input type="checkbox"/> PLED- POW LED+ <input type="checkbox"/> PLED+		
Cable		HD Audio Connector	USB 2.0 Connector	USB 3.0 Connector

11. Cooling fan installation capacity

Top: 2x120mm fan	Direction: outlet
Front: 1x120mm fan	Direction: inlet
Rear: 1x120mm fan	Direction: outlet
Side: 2x80mm/90mm/120mm fan	Direction: inlet

12. Accessories and Components

- 6#-32 screws for VGA and HDD 11pcs
- 6#-32 screws for power supply 4pcs
- M3 screws for motherboard and 5.25" Drive Bay 17pcs
- Cable ties for cable routing 11pcs
- 6mm copper standoffs to support motherboard 10pcs